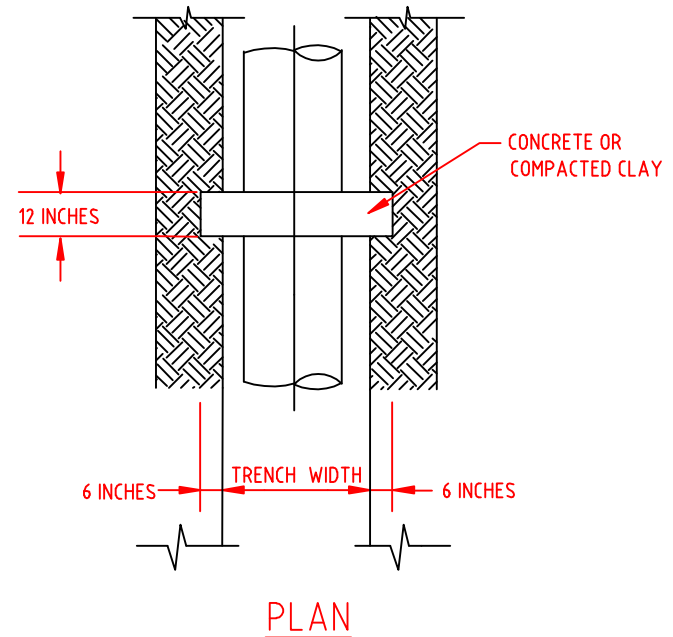
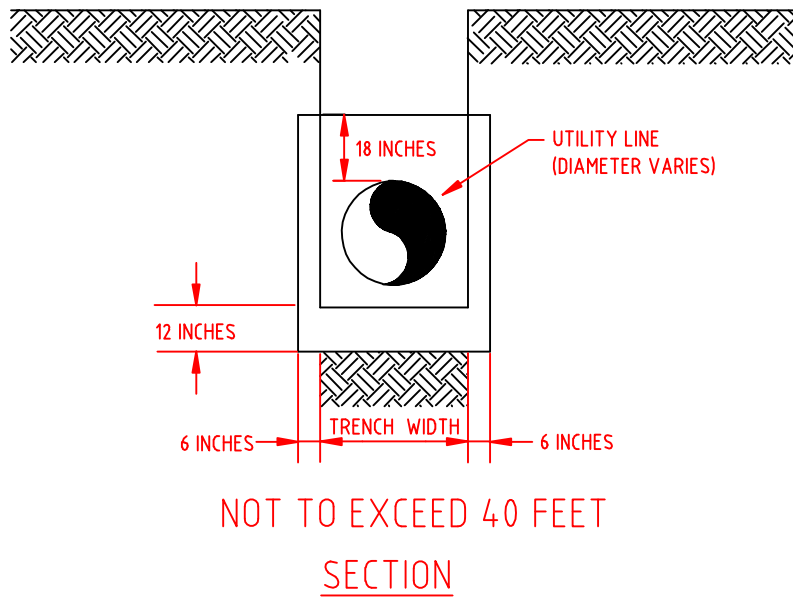


Anti-seep collars may be constructed with class B concrete or compacted clay. The compacted clay shall have a specific discharge of  $1 \times 10^{-5}$  cm/sec or less. The following specifications apply to class B concrete:

- a. Minimum cement content, sacks per cubic yard with rounded course aggregate 5.0
- b. Minimum cement content, sacks per cubic yard with angular course aggregate 5.5
- c. Maximum water-cement ratio gallons per sack 6.8
- d. Slump range 2" to 4"
- e. Minimum strength - 28 day psi 2,500



UNION COUNTY PUBLIC WORKS DEPARTMENT  
UNION COUNTY, N.C.

STANDARD DETAIL

ANTI-SEEP COLLAR DETAIL

SCALE:  
N.T.S.  
DATE:  
11-17-06

21