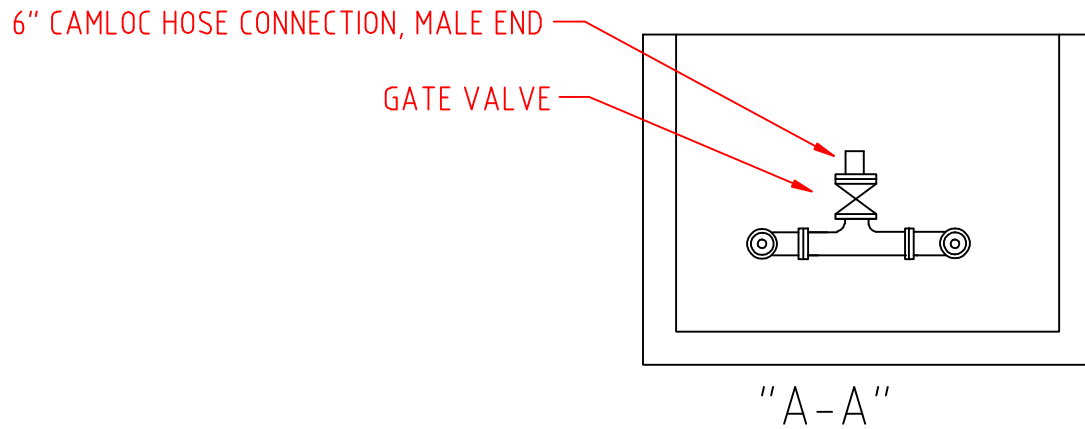
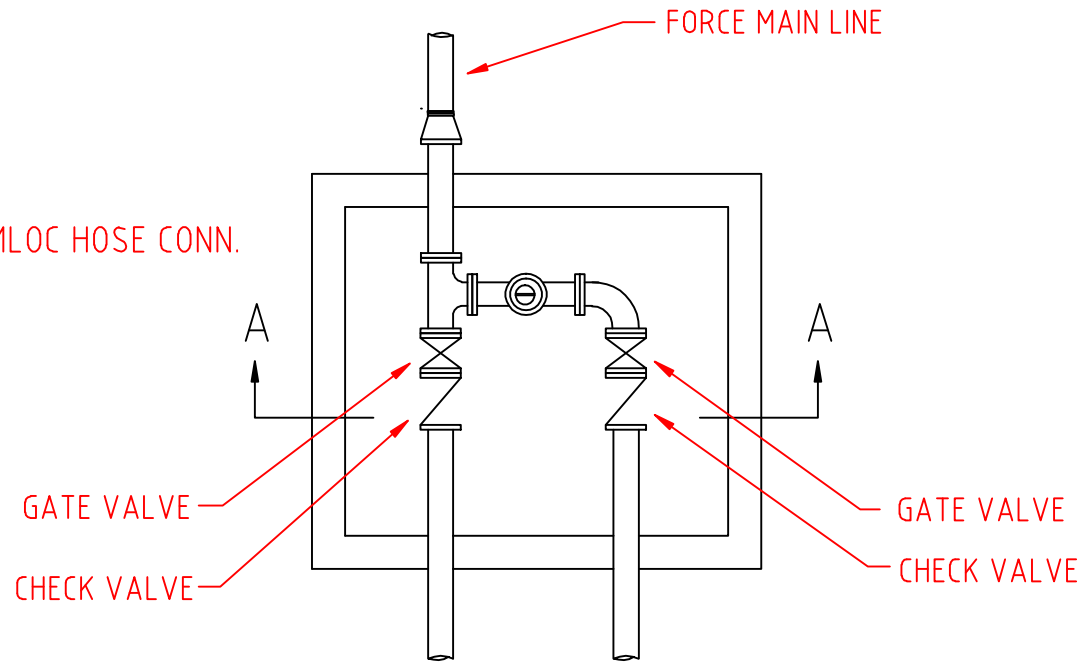


EMERGENCY CONNECTION

- 1 EA. FLANGE TEE
- 1 EA. FLANGE GATE VALVE
- 1 EA. COMPANION FLANGE (9"x4")
- 1 EA. 6" MALE 1PT. x 6" MALE CAMLOC HOSE CONN.
- 4 EA. FLANGE ACCESSORY SETS



UNION COUNTY PUBLIC WORKS DEPARTMENT
UNION COUNTY, N.C.

STANDARD DETAIL

BYPASS EMERGENCY CONNECTION FOR WET WELL

SCALE:
N.T.S.
DATE:
9-27-07

23