

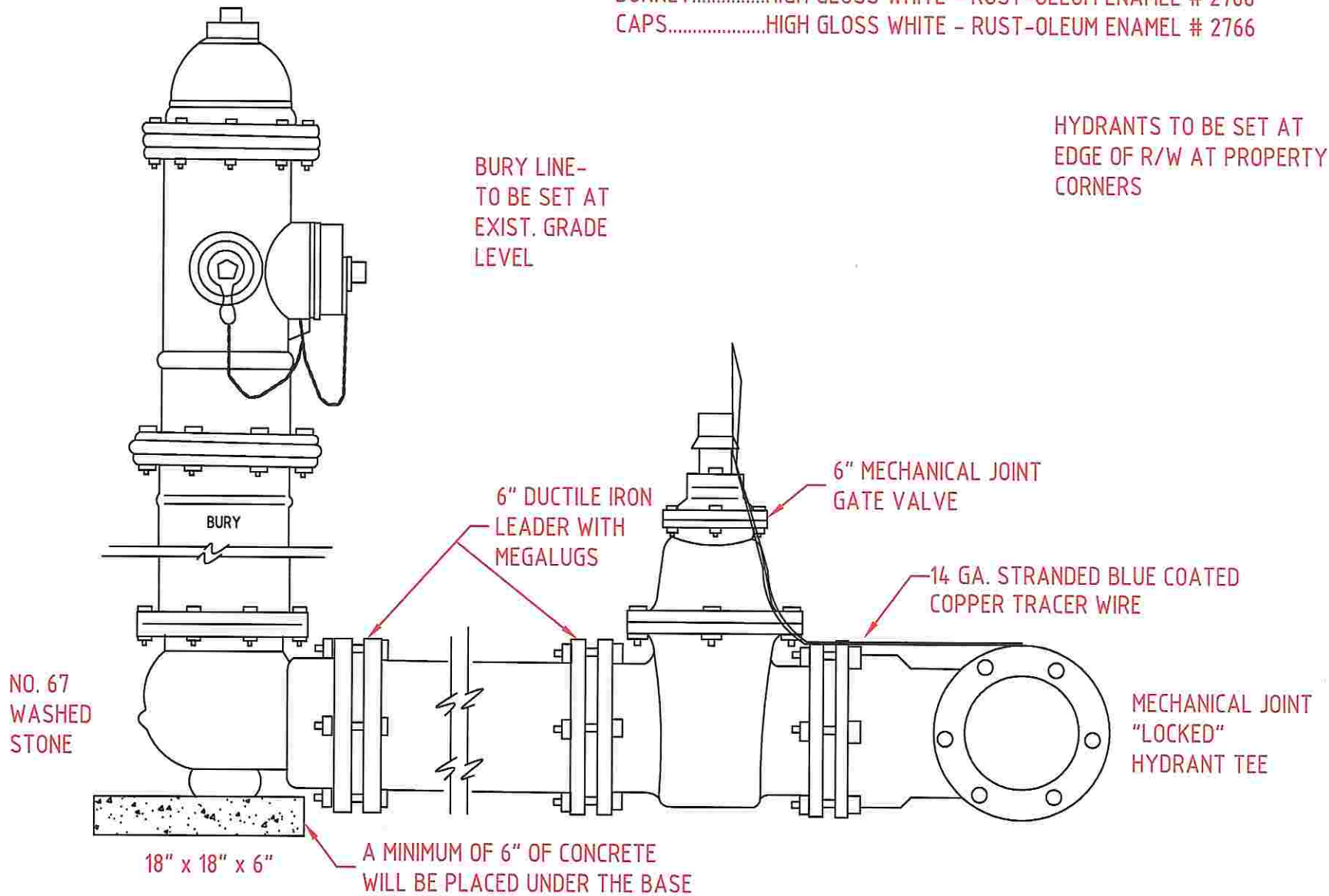
PAINT COLORS

BODY.....FIRE HYDRANT RED - RUST-OLEUM ENAMEL 7400 SYSTEM

BONNET.....HIGH GLOSS WHITE - RUST-OLEUM ENAMEL # 2766

CAPS.....HIGH GLOSS WHITE - RUST-OLEUM ENAMEL # 2766

HYDRANTS TO BE SET AT  
EDGE OF R/W AT PROPERTY  
CORNERS



UNION COUNTY PUBLIC WORKS DEPARTMENT  
UNION COUNTY, N.C.

STANDARD DETAIL

# FIRE HYDRANT INSTALLATION

SCALE:  
N.T.S.  
DATE:  
10-4-11

3