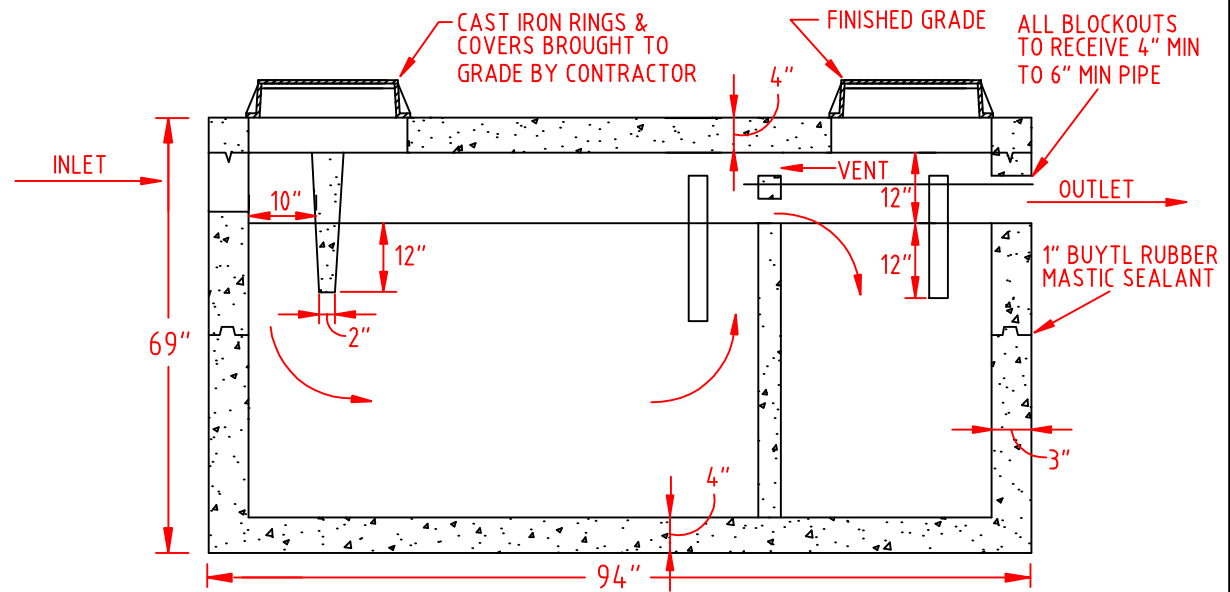
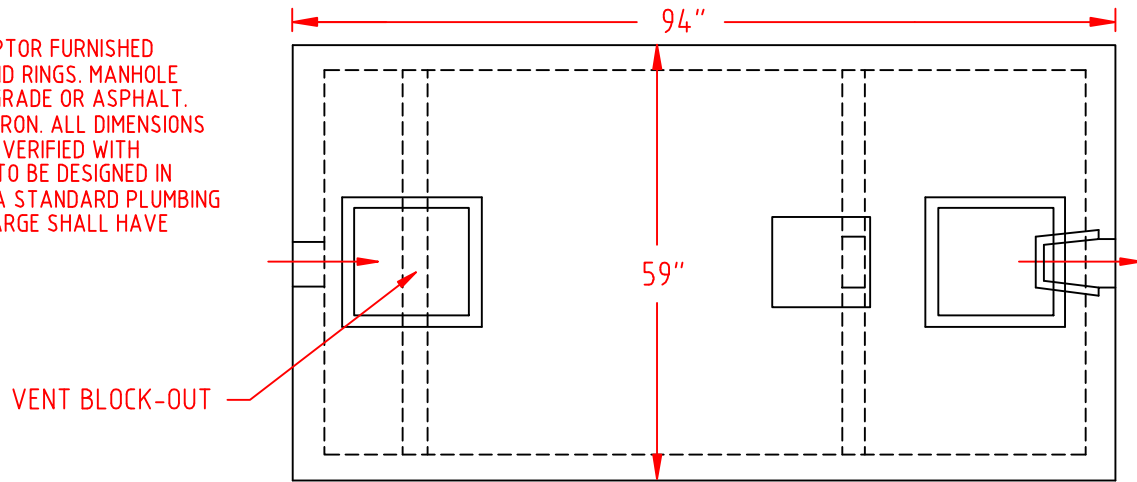


1,000 GALLON MINIMUM GREASE INTERCEPTOR FURNISHED COMPLETE WITH CAST IRON MANHOLE AND RINGS. MANHOLE COVER SHALL BE FLUSH WITH FINISHED GRADE OR ASPHALT. ALL PIPE AND FITTINGS SHALL BE CAST IRON. ALL DIMENSIONS ARE APPROXIMATE ONLY AND SHALL BE VERIFIED WITH MANUFACTURER. GREASE INTERCEPTOR TO BE DESIGNED IN ACCORDANCE WITH THE NORTH CAROLINA STANDARD PLUMBING CODE LATEST EDITION. INLET AND DISCHARGE SHALL HAVE TEES EQUAL TO NEENAH MODEL R-1660.



STANDARD DETAIL

UNION COUNTY PUBLIC WORKS DEPARTMENT
UNION COUNTY, N.C.

GREASE INTERCEPTOR

SCALE:
N.T.S.
DATE:
10-23-07

26