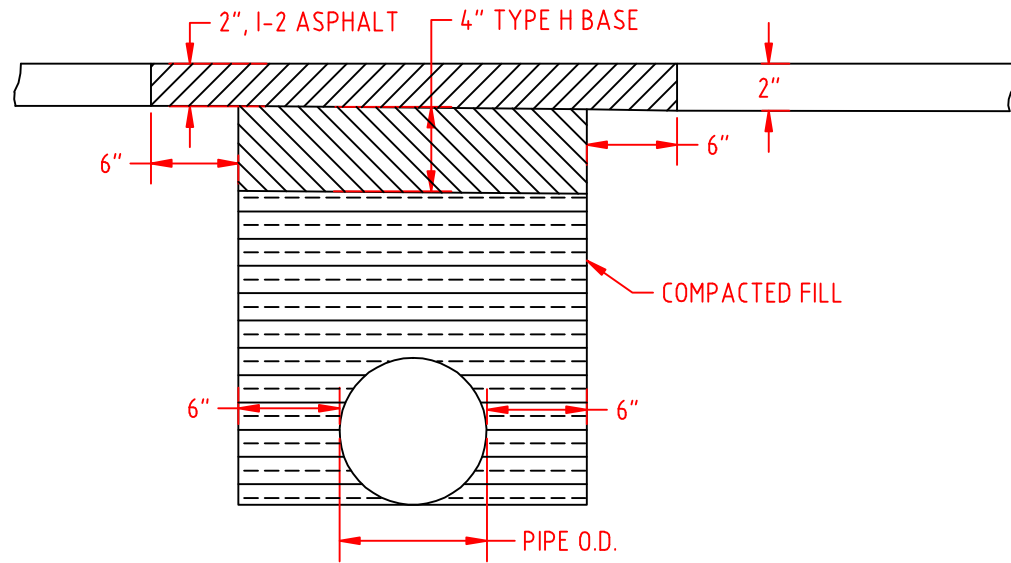


NOTE:
FOR CONCRETE PAVEMENT SUBSTITUTE 3500 PSI
CONCRETE TO MATCH EXISTING THICKNESS FOR
I-2 ASPHALT 4" ABC STONE FOR H BASE.



UNION COUNTY PUBLIC WORKS DEPARTMENT
UNION COUNTY, N.C.

STANDARD DETAIL

PAVEMENT REPLACEMENT

SCALE:
N.T.S.
DATE:
3-13-07

15