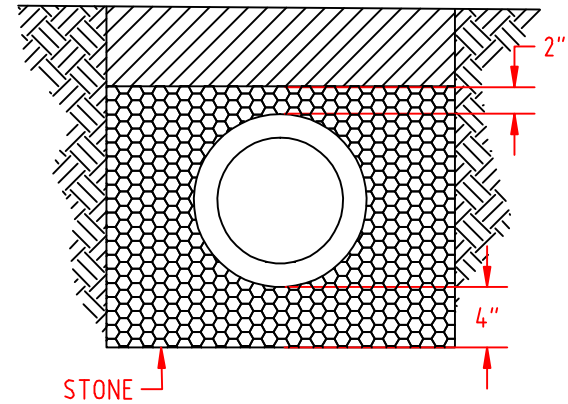


CLASS A



CLASS B

NOTES:
 ALL CONCRETE = 3000 PSI
 ALL STONE = N.C.D.O.T. NO. 67

UNION COUNTY PUBLIC WORKS DEPARTMENT
 UNION COUNTY, N.C.

STANDARD DETAIL

PIPE BEDDING

SCALE:
 N.T.S.
 DATE:
 11-17-06

8